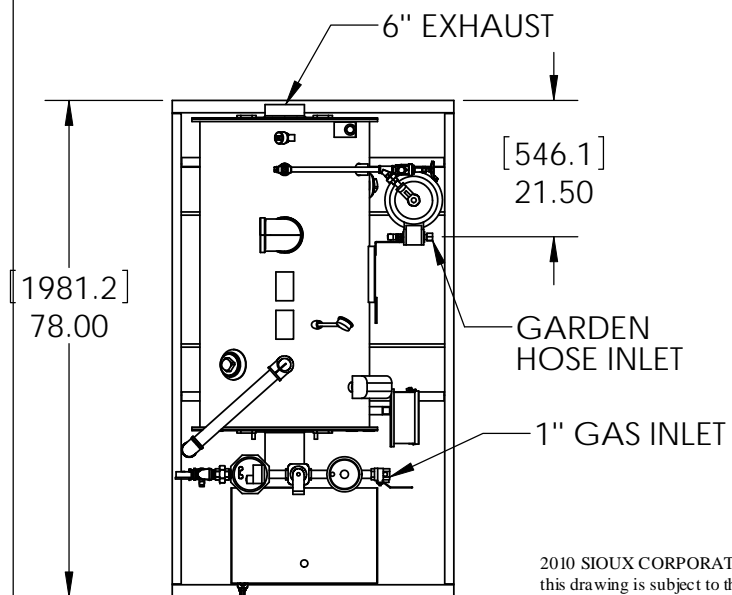
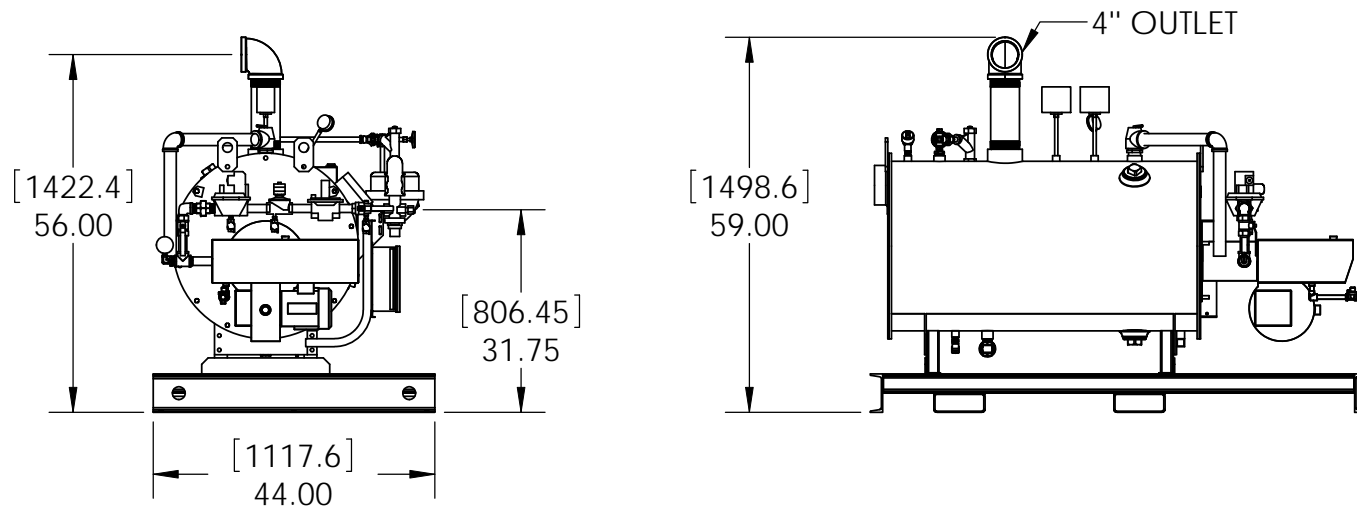
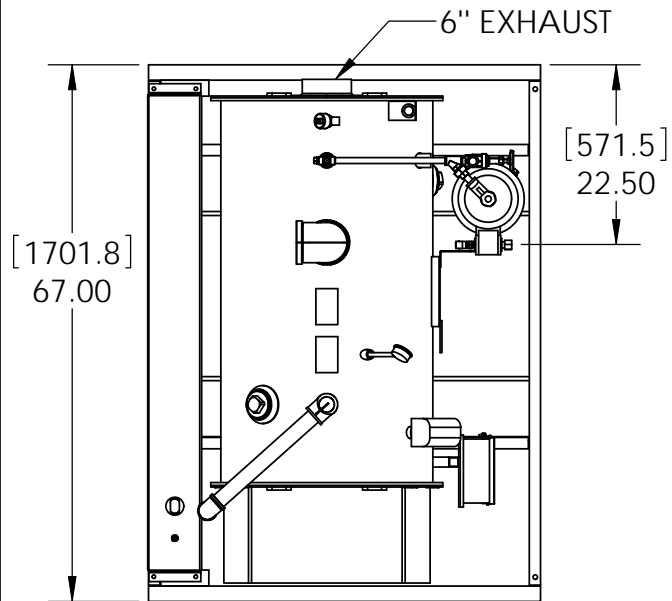
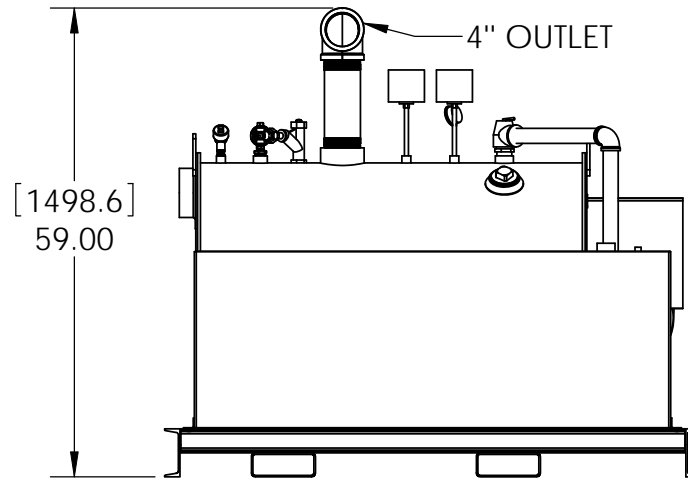
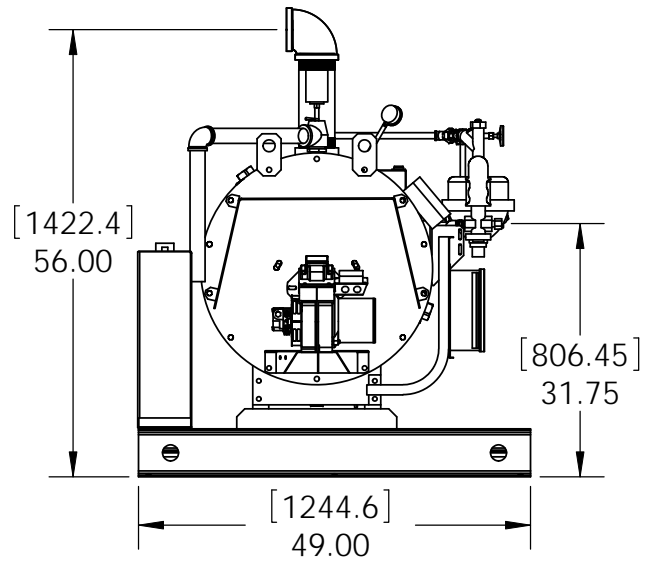


MODEL NUMBER	APPROXIMATE MACHINE DIMENSIONS						APPROXIMATE SHIPPING DIMENSIONS							
	LENGTH		WIDTH		HEIGHT		LENGTH		WIDTH		HEIGHT		WEIGHT	
	IN	CM	IN	CM	IN	CM	IN	CM	IN	CM	IN	CM	LBS	KG
SF-11 GAS SKID	78	1981	44	1118	59	1499	86	2184	59	1499	56	1422	1490	676

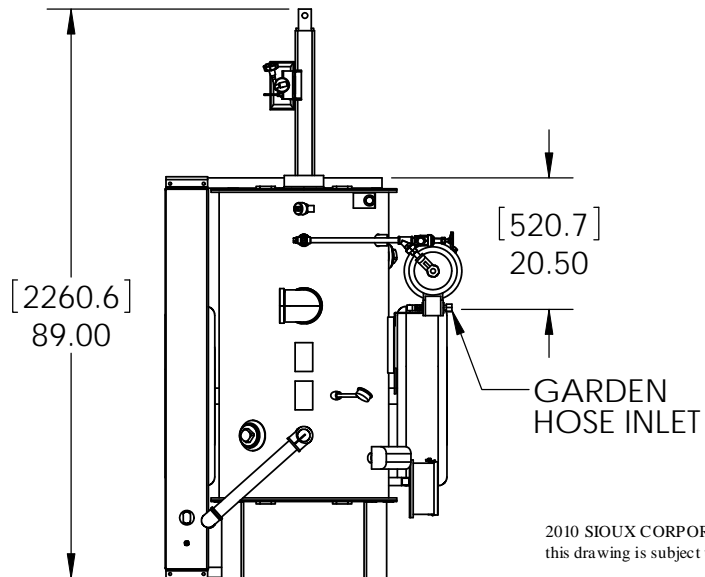
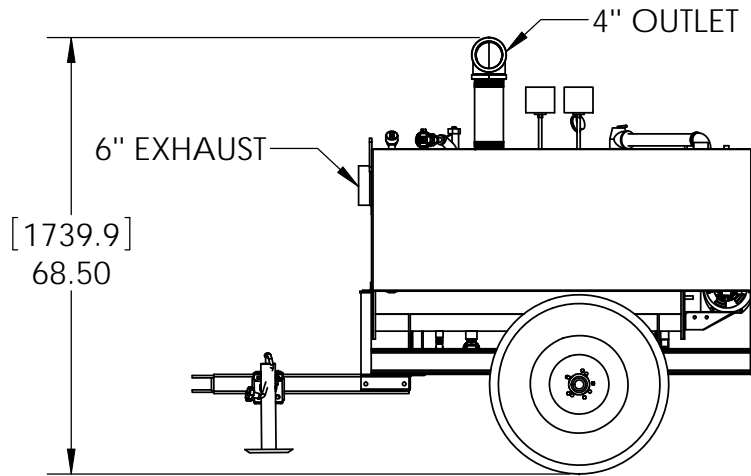
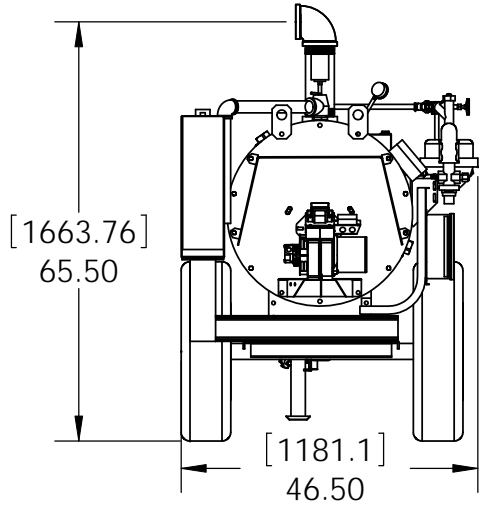


2010 SIOUX CORPORATION. This information is property of Sioux Corporation Copyright ©, is subject to recall at any time, and is not to be used in any way detrimental to Sioux's interest. Use of this drawing is subject to the Terms of Website Use listed on the www.siuox.com website.

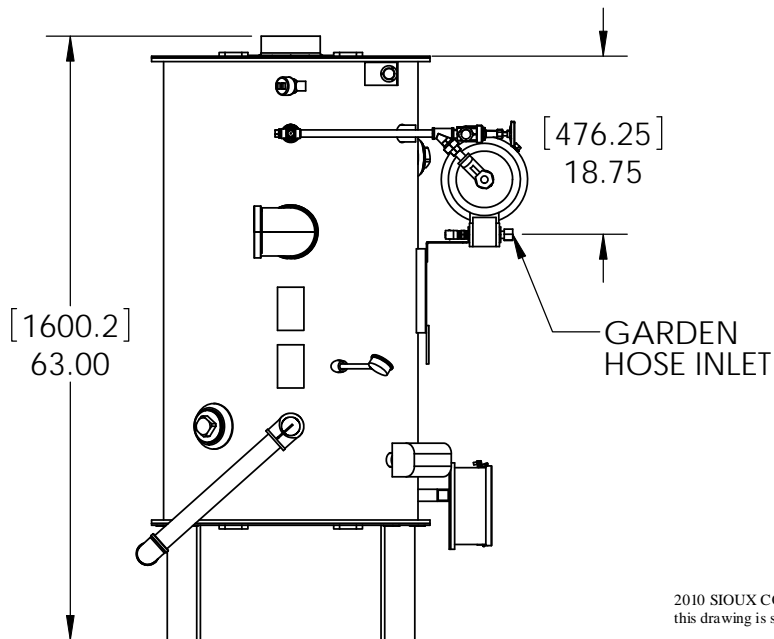
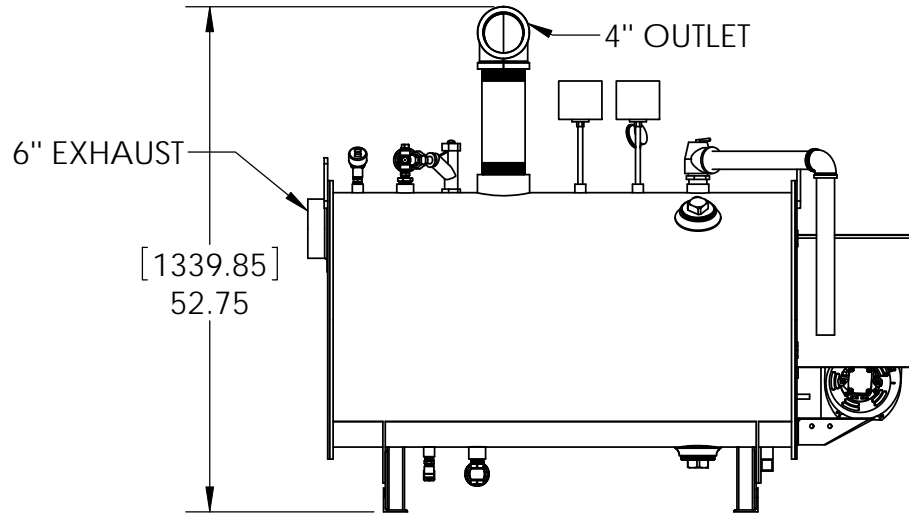
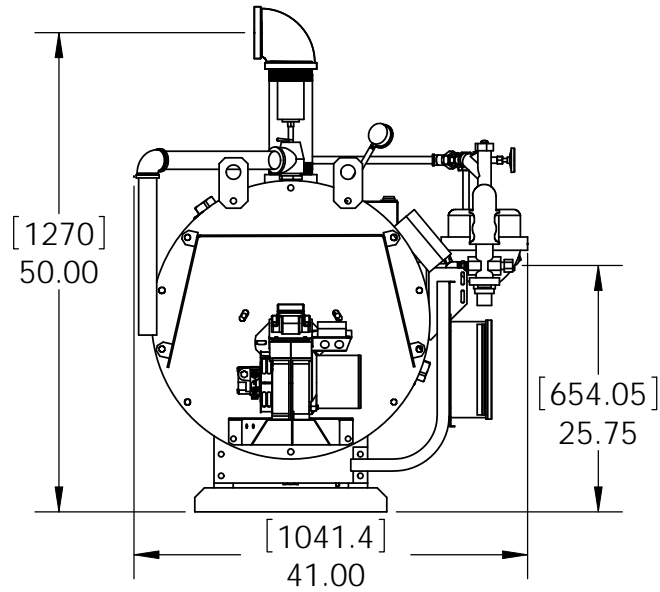
MODEL NUMBER	APPROXIMATE MACHINE DIMENSIONS						APPROXIMATE SHIPPING DIMENSIONS							
	LENGTH		WIDTH		HEIGHT		LENGTH		WIDTH		HEIGHT		WEIGHT	
	IN	CM	IN	CM	IN	CM	IN	CM	IN	CM	IN	CM	LBS	KG
SF-11 OIL SKID	67	1702	49	1245	59	1499	86	2184	59	1499	56	1422	1504	682



MODEL NUMBER	APPROXIMATE MACHINE DIMENSIONS						APPROXIMATE SHIPPING DIMENSIONS							
	LENGTH		WIDTH		HEIGHT		LENGTH		WIDTH		HEIGHT		WEIGHT	
	IN	CM	IN	CM	IN	CM	IN	CM	IN	CM	IN	CM	LBS	KG
SF-11 OIL NON-HIGHWAY	89	2260	46.5	1181	68.5	1740	72	1829	55	1397	69	1753	1705	773



MODEL NUMBER	APPROXIMATE MACHINE DIMENSIONS						APPROXIMATE SHIPPING DIMENSIONS							
	LENGTH		WIDTH		HEIGHT		LENGTH		WIDTH		HEIGHT		WEIGHT	
	IN	CM	IN	CM	IN	CM	IN	CM	IN	CM	IN	CM	LBS	KG
SF-11 OIL LEG MOUNT	63	1600	41	1041	52.75	1340	70	1778	60	1524	49.5	1257	1212	550



MODEL NUMBER	APPROXIMATE MACHINE DIMENSIONS						APPROXIMATE SHIPPING DIMENSIONS							
	LENGTH		WIDTH		HEIGHT		LENGTH		WIDTH		HEIGHT		WEIGHT	
	IN	CM	IN	CM	IN	CM	IN	CM	IN	CM	IN	CM	LBS	KG
SF-11 GAS LEG MOUNT	77	1956	42	1067	52.75	1340	82	2083	60	1524	49.5	1257	1300	590

