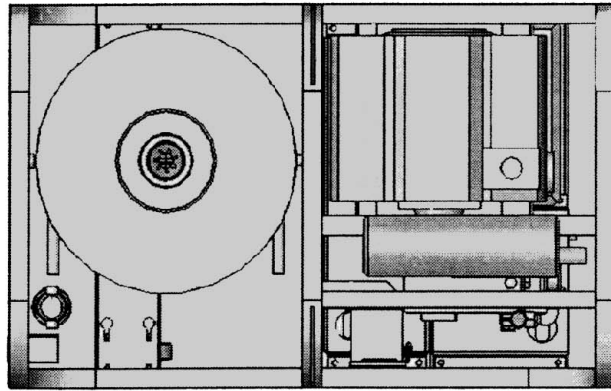
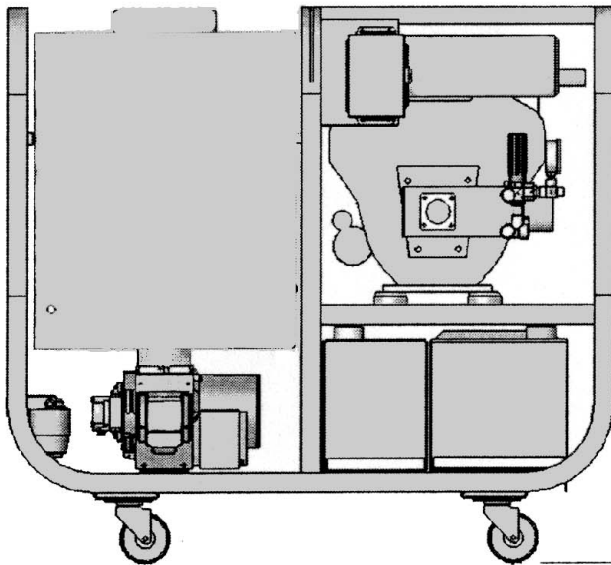
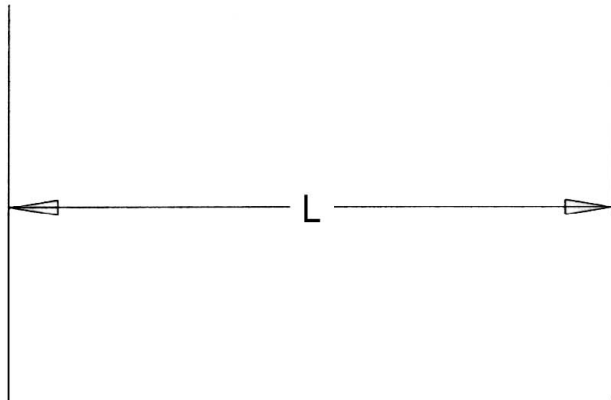


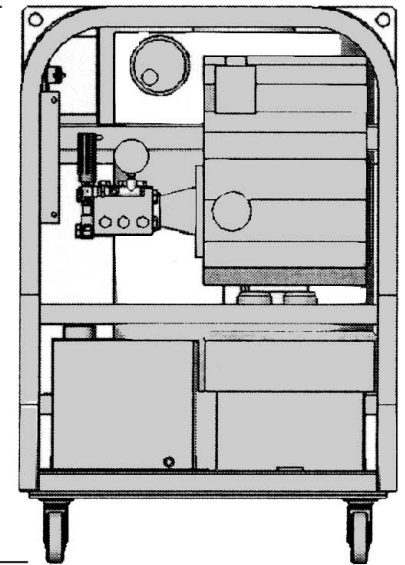
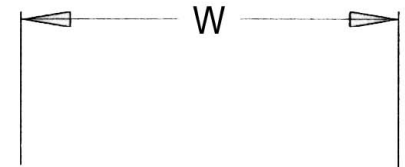
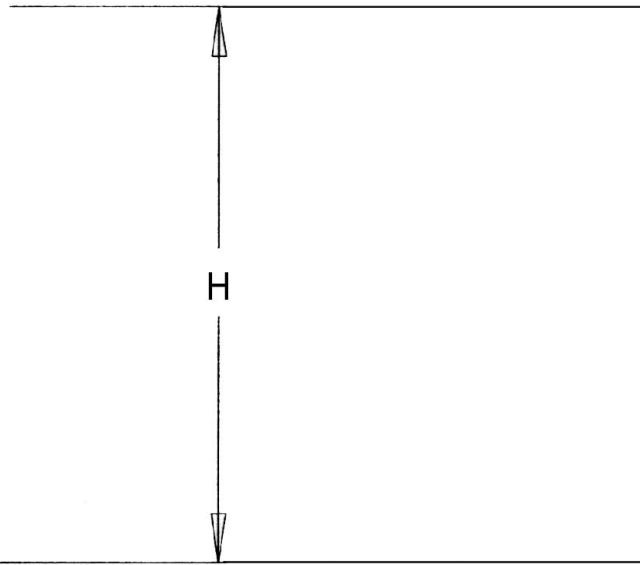
TOP VIEW



Model Number	Approximate Machine Dimensions						Approximate Shipping Dimensions					
	Length		Width		Height		Length		Width		Height	
	in.	cm	in.	cm	in.	cm	in.	cm	in.	cm	in.	cm
GH4D2000	49	124	29	73.7	37	94	57	145	36	91.4	44	112
GH5D3000	49	124	29	73.7	37	94	57	145	36	91.4	44	112
DH5D3000	49	124	29	73.7	37	94	57	145	36	91.4	44	112



FRONT VIEW



SIDE VIEW

These drawings are for general dimensions only. Configuration may vary by model number. For exact drawings, please contact the factory.